



# TECHNICAL MANUAL



Multifuel Stove  
Model EW1MF

To be retained by the user for future reference

Serial Number .....

Document EW1MF 0209

**Thank you for purchasing an ACR Heat Products stove.**

The Earlswood stove is exempted (under Section 21 of the Clean Air Act 1993) for use in a smoke control area when burning wood. It is a multifuel appliance and can also burn suitable smokeless fuels (Authorised fuels under Section 20 of the Clean Air Act) in a smoke control areas.

**To ensure that you gain the most from your purchase, please take a few minutes to read through this manual before lighting the appliance for the first time.**

SINCE APRIL 2002 ONLY REGISTERED COMPETENT INSTALLERS CAN INSTALL SOLID FUEL APPLIANCES. INSTALLATIONS CARRIED OUT BY NON-REGISTERED INSTALLERS MUST BE INSPECTED BY LOCAL AUTHORITY BUILDING CONTROL. FOR MORE INFORMATION PLEASE CONTACT HETAS AT [www.hetas.co.uk](http://www.hetas.co.uk) OR TELEPHONE 0845 6345626

- The installation of this appliance must comply with current Building Regulations and local regulations, including those referring to national and European standards need to be complied with when installing the appliance.
- Do not operate this appliance if it becomes damaged.
- Improper use, maintenance or fitting parts other than those approved by the manufacturer could lead to the appliance becoming damaged or unsafe which in turn could lead to personal injury or damage to the property and will void the warranty.
- The appliance must not be modified in anyway unless authorized by ACR Heat Products Ltd.
- The appliance should be inspected regularly to ensure the airways are clean and free from obstruction and the chimney swept at least once a year.
- The external surfaces of this appliance will be very hot to the touch when in operation and due care will need to be taken when operating the appliance to ensure safety. A fire guard should be fitted if it is likely that the elderly, infirm or children may come into contact with the appliance.
- This appliance must not be used as an incinerator.
- This appliance has been designed for intermittent operation.

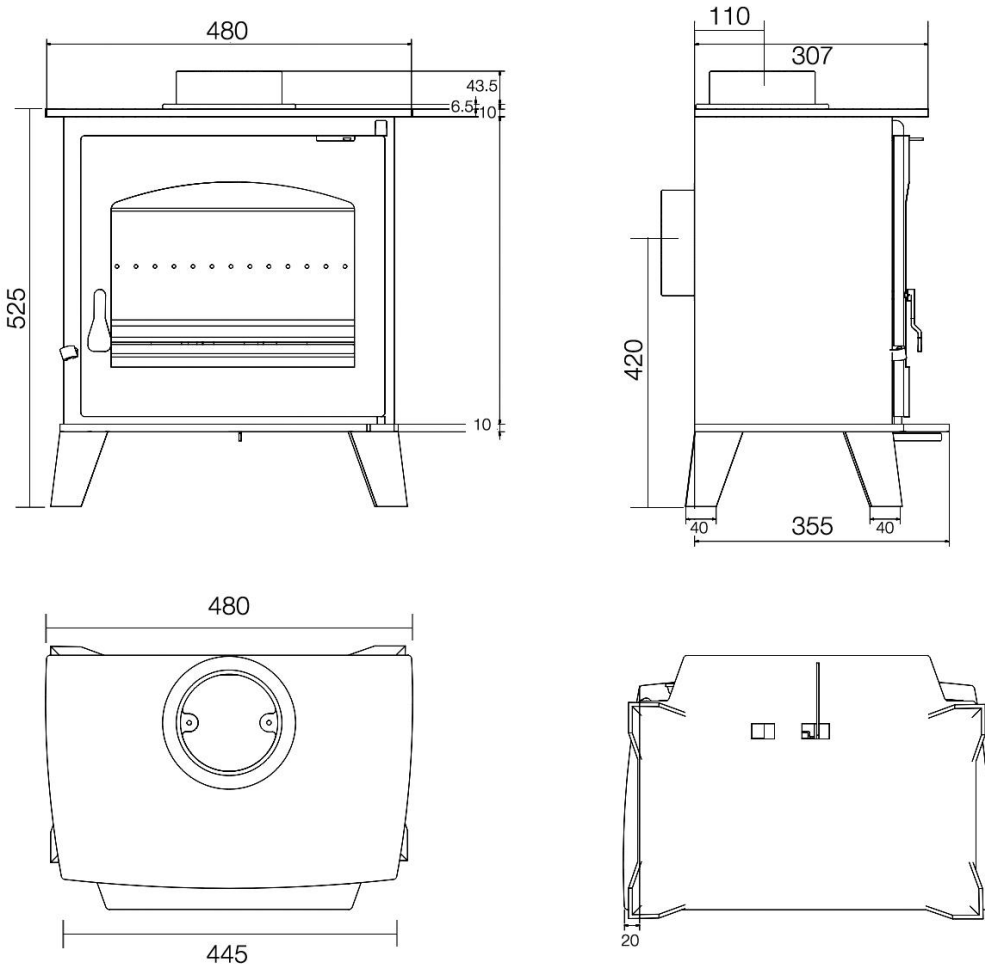
**Before installation, please ensure that the correct model has been supplied.**

**Please also make a note of the serial number of your appliance in the space provided on the front cover of this manual as this will be requested if you require technical assistance in the future.**

## EARLSWOOD SPECIFICATIONS

Nominal heat output .....	5 kW – WOOD	4.8 kW – SMOKELESS FUEL
Chimney draft required .....	12Pa	
Height .....	525mm	
Width .....	480mm	
Depth .....	335mm	
Weight .....	80kg	
Air Requirement .....	Nil ***	
Flue Mass Gas Flow .....	4.3 g/s – WOOD	7.1 g/s – SMOKELESS FUEL
Mean Flue Gas Temperature ..	273°C – WOOD	273°C - SMOKELESS FUEL

\*\*\* Please note that Building Regulations Document J advises that additional air supply is required for appliances with an output of above 5Kw. With modern properties additional air may be required as Document J suggests that adequate air would be a benefit. If in doubt, please consult your registered installer for advice. NOTE: Extractor fans when operating in the same room or space as the appliance may cause problems.



## **Location of the unit**

### **Clearances to non-combustible materials**

There must be a minimum clearance of 150mm at each side of the appliance. A clearance of 150mm is required at the back of stove (if the rear wall has a thickness of 200mm or more this measurement can be reduced to 50mm) A minimum clearance of 150mm is required above the appliance.

### **Clearances to combustible materials**

There must be a minimum clearance of 450mm at each side and 750mm at the rear of the appliance from any combustible materials. If using single wall flue pipe, there must be a clearance of at least 3 times the diameter of the flue pipe (e.g 125mm diameter pipe = 375mm minimum clearance) from any combustible materials e.g wooden beam.

Curtains and soft furnishings should be a minimum of 1m away from the appliance.

Adequate space should be provided for servicing the appliance.

We do not recommend that plasma televisions and expensive artwork are hung over the fireplace.

Please remember that this appliance has been designed to provide heat and if installed into a recess enough space should be left around the appliance to enable the heat produced to rise and escape from the recess back into the room.

### **Hearth Requirements**

The appliance must stand on a level fireproof hearth with a minimum thickness of 12mm. The hearth temperature created by this stove is below 100°C. The hearth must protrude at least 300mm in front of the appliance and 150mm either side of the appliance.

The appliance shall be installed on a floor with an adequate load bearing capacity. If an existing construction doesn't meet with prerequisite, suitable measures (e.g. load distributing plate) shall be taken to achieve it.

## **Flue Requirements**

The chimney must comply with current Building Regulations. Provision must be made to provide access for cleaning the appliance, the flue gas connector and the chimney flue.

The flue must be:

- In sound condition and provide sufficient draft
- Suitable for use with solid fuel burning appliances
- Free from deposits
- Well insulated
- At least 4.5m in height

The flue must not be:

- Shared with other appliances
- Weight bearing on the appliance
- A smaller diameter than the appliance flue collar size (125mm)

## **Assembly of the unit**

The appliance is supplied assembled with the flue spigot in the top exit position. If you intend to install the appliance using a rear flue connection, the blanking plate should be swapped over as follows:

- Remove the internal baffle plate
- Remove the blanking plate retaining bar internally.
- Remove the flue spigot from the top exit by removing the securing bolts and rope seal.
- Refit the rope seal and flue spigot to the rear exit and secure with the bolts. Seal with fire cement.
- Refit the blanking plate to the top exit using the rope seal and retaining bar

## **Maintenance**

The chimney should be swept at least once a year together with the flue pipe connection. Care should be taken to ensure that there is not a build up of soot on the baffle and in the airways of the appliance.

If the appliance has not been operated for long periods, the flue should be inspected and swept before use to ensure there are no blockages within the flue.

The grate should be cleaned regularly and the ashpan emptied daily. **NEVER ALLOW THE ASH IN THE ASHPAN TO OVERFILL ALLOWING ASH TO BE IN CONTACT WITH THE UNDERSIDE OF THE GRATE.** This will overheat the grate and cause premature wear and distortion.

The internal vermiculite panels of the appliance should be checked regularly for soundness. If any wear and tear is found, we recommend these parts are replaced immediately.

Check the rope door seals are intact and are not worn. These should be replaced on an annual basis to ensure the correct operation of this appliance.

The glass can be cleaned using a soft damp cloth and window cleaner or a ceramic glass cleaner (available from your local stockist)

Use only replacement parts recommended by the manufacturer.

*We recommend that the appliance is serviced annually by a competent engineer to ensure it's continued safe operation.*

### **User Instructions**

Please note that during the first firing, we recommend a small fire is lit and that you slowly increase the temperature to enable the various parts to expand normally.

You may also experience fumes and a haze being given off by the stove during the first firing and possibly for the next couple of firings as the paint cures. This is normal but please ensure that the room is well ventilated during this period.

The appliance should not be operated in mild weather with smokeless fuel. Under certain weather circumstances e.g. fog the chimney will not draw sufficiently and could cause asphyxiation. Either await better weather or burn wood only.

In the rare event of a malfunction due to overheating or a chimney fire, the air slides should be shut down completely and the fuel allowed to burn out.

In the event of a chimney fire, once the air slides have been closed completely, dial 999 for assistance. If the appliance has overheated, the appliance will need to be inspected for any damage before it can be operated again.

### **Recommended Fuels**

Wood – hardwood such as ash, oak and beech which have been cut for at least 2 years and stored under shelter. The logs should have a maximum moisture content of 20% and be a maximum 310mm length x 100mm diameter.

Smokeless Fuels – such as Homefire, Phurnacite, Ancit

## **Prohibited Fuels**

Green wood – i.e wood which is less than 2 years old with a moisture content of above 20%

Recovered wood – i.e pallets, railway sleepers etc. These will have been chemically treated and will pollute the atmosphere and possibly overheat the appliance.

Housecoal or Bituminous coal – these fuels will soot up the airways of the stove and possibly overheat the appliance.

Petroleum Based Coke – this will overheat the appliance and possibly damage the unit.

Liquid fuels.

## **Instructions for use with wood**

- Slide the top air control to the right and open the primary air fully by pulling the lever forward.
- Lay firelighters or rolled up newspapers on the grate and add a small amount of kindling wood to the top. Place 1 or 2 small logs on the top.
- Light the newspaper or firelighters using a long taper and push the door to.
- When the fire is burning fiercely, after a couple of minutes add more logs and close the door.
- When the fire has become established, close the primary air down by pushing the lever inwards.
- The burning rate can be altered by moving the top air slide – move to the left to close down and move to the right to open.
- Care should be taken to ensure that the logs are not placed higher than the log guard allows.

## **Instructions for use with smokeless fuel**

- Slide the top air control to the right and open the primary air fully by pulling the lever forward.
- Lay firelighters or rolled up newspapers on the grate and add a small amount of kindling wood to the top. Place a small quantity of smokeless fuel on top.
- Light the newspaper or firelighters using a long taper and push the door to.
- When the fire is burning fiercely, after a couple of minutes add more smokeless fuel and close the door.
- When the fire has become established, close the top air down by moving to the left.
- The burning rate can be altered by moving the primary air slide – pull forward to fully open and push inward to close down.
- Care should be taken to ensure that the firebox is not overfilled with smokeless fuel – it should be no higher than the log guard.

## **Re-fueling**

Always refuel onto a bed of hot embers.

Never overload the stove – it will work very well with two medium sized logs.

Once you have added more fuel, leave the door slightly ajar for a few moments afterwards to allow the initial volatiles in the fuel to burn. Once the new fuel is established, close the door and control the burn rate as above.

Occasionally fumes may be emitted into the room during the refueling process.

Persistent fume emission is dangerous and must be investigated. If fume emission persists open doors and windows to ventilate the room and let the fire die out. Have the chimney inspected for blockages and clean if required. Do not relight the fire until the cause has been found. We recommend that you seek professional advice.

This appliance has been designed to be burned with the door closed at all times other than when refueling. It should not be operated as an open fire.

Typical refueling intervals for wood is 1 hour and smokeless fuel is 2 hours.

## **Daily Maintenance**

The ashpan should be checked and emptied regularly. You should never allow the ashes in the pan to build up to the level of the grate. If they are allowed to build up, the grate will become sandwiched between the ash below it and above it. This will overheat the grate and cause distortion and premature wear.



## **Troubleshooting**

<b>Problem</b>	<b>Probable Cause</b>	<b>Action Recommended</b>
Fire difficult to Start / Fire goes Out	Green wood / wet wood	Use hardwood logs with a maximum moisture content of 20%
	Logs are too large	Use small logs to start The fire and once Established use split logs
	Not enough primary air	Open air control
	Insufficient draft	Check the flue is not Obstructed
Fire burns too Quickly	Too much draft	Reduce the air control
	Excessive draft	Install a draft stabiliser
Smokes on initial Lighting	Flue is cold	Burn paper and kindling to increase heat in flue
Smokes while Burning	Insufficient draught	Check the flue is not obstructed
Low heat output	Poor quality wood	Use seasoned Hardwood (this has a Higher calorific value)

## **Commissioning Check List**

(Please mark box when completed)

- Ensure the serial number has been recorded on the front of this manual for any future use
- Ensure the door seals are in good condition and that the glass is secured correctly in the door (do not over tighten the glass as this will prohibit its expansion and could cause the glass to crack)
- Ensure that all internal components are fitted correctly (these may have shifted in transit)
- Ensure that the appliance operates correctly during the first firing
- Ensure the customer is aware that fumes may be given off during the first firings as the paint cures
- Advise the customer on the safe operation of the appliance
- Leave the instruction manuals, operating tool and glove for the customer's use.

## **Warranty Certificate**

The specifications within this document are provided for information purposes only and are under no circumstances binding.

With the aim of constantly improving our products, all modifications considered necessary may be made without notice.

Our appliances are guaranteed against faults and hidden defects subject to the following conditions:

- The appliance must have been installed by a registered competent installer or inspected by local authority Building Control
- The appliance must be installed and operated in accordance with our instruction manual
- The guarantee is for a period of 5 years on the appliance body from the date of purchase

The following components are considered as consumable components and are excluded from the guarantee:

- Grates
- Ashpans
- Internal vermiculite panels
- Glass
- Baffle plates

Your statutory rights are not affected by this warranty.

**In the event of a warranty claim, please return the form overleaf to  
ACR Heat Products Ltd, Unit One, Weston Works, Weston Lane, Tyseley,  
Birmingham, B11 3RP, UK.**

## Warranty Claim Form

Customer Name: .....

Customer Address: .....

.....

..... Postcode .....

Daytime Tel: ..... Mobile Tel:.....

Model Name: ..... Model Number: .....

Serial Number: .....

Date of purchase: .....

Date of installation: .....

Installer's Name and address: .....

.....

.....

Installer's Registration Number: .....

Building Control Certificate Number (if not installed by a registered competent installer): .....

Dealer Name and address: .....

.....

.....



Unit One Weston Works, Weston Lane, Tyseley, Birmingham, B11 3RP. UK

Tel: 0121 706 8266 Fax: 0121 706 9182

Email: [enquiries@acrheatproducts.co.uk](mailto:enquiries@acrheatproducts.co.uk)