



TECHNICAL MANUAL

The Buxton

Multifuel Stove
Model BX1MF

To be retained by the user for future reference

Serial Number
Version 1 Date 17/10/2013

Document BX1MF 0101

Thank you for purchasing an ACR Heat Products stove.

To ensure that you gain the most from your purchase, please take a few minutes to read through this manual before lighting the appliance for the first time.

SINCE APRIL 2002 ONLY REGISTERED COMPETENT INSTALLERS CAN INSTALL SOLID FUEL APPLIANCES. INSTALLATIONS CARRIED OUT BY NON-REGISTERED INSTALLERS MUST BE INSPECTED BY LOCAL AUTHORITY BUILDING CONTROL. FOR MORE INFORMATION PLEASE CONTACT HETAS AT;

www.hetas.co.uk OR TELEPHONE 0845 6345626

- The installation of this appliance must comply with current Building Regulations and local regulations, including those referring to national and European standards need to be complied with when installing the appliance.
- Do not operate this appliance if it becomes damaged.
- Improper use, maintenance or fitting parts other than those approved by the manufacturer could lead to the appliance becoming damaged or unsafe which in turn could lead to personal injury or damage to the property and will void the warranty.
- The appliance must not be modified in anyway unless authorized by ACR Heat Products Ltd.
- The appliance should be inspected regularly to ensure the airways are clean and free from obstruction and the chimney swept at least once a year.
- The external surfaces of this appliance will be very hot to the touch when in operation and due care will need to be taken when operating the appliance to ensure safety. A fire guard that complies to BS 8423:2002, should be fitted if it is likely that the elderly, infirm or children may come into contact with the appliance.
- This appliance must not be used as an incinerator.
- This appliance has been designed for intermittent operation.

Before installation, please ensure that the correct model has been supplied. Please also make a note of the serial number of your appliance in the space provided on the front cover of this manual as this will be requested if you require technical assistance in the future.

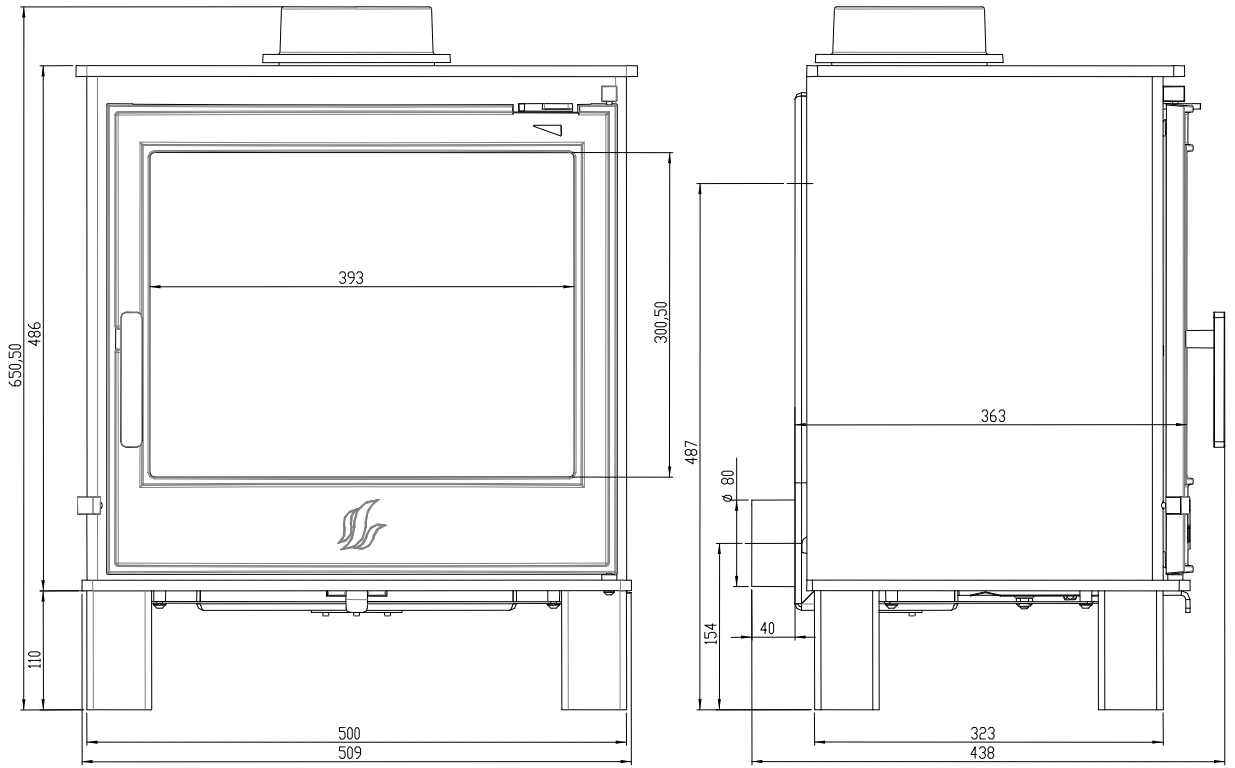
BUXTON SPECIFICATIONS

Nominal heat output	7.2 kW – WOOD	7.5 kW – SMOKELESS FUEL
Chimney draft required	12Pa	
Height	595 mm	
Width	542 mm	
Depth	415 mm	
Weight	80 kg	
Direct Air Intake.....	80mm	
Air Requirement	1375mm ²	
Flue Mass Gas Flow	5.5g/s – WOOD	5.6g/s – SMOKELESS FUEL
Mean Flue Gas Temperature ..	315°C – WOOD	308°C - SMOKELESS FUEL
Efficiency	78.6% - WOOD	77.4% - SMOKELESS FUEL
Log Length	Up To 400 mm	

*** Please note that Building Regulations Document J advises that additional air supply is required for appliances with an output of above 5Kw. With modern properties additional air may be required as Document J suggests that adequate air would be a benefit. If in doubt, please consult your registered installer for advice.

NOTE: DO NOT INSTALL IN A ROOM CONTAINING AN EXTRACTOR FAN

Buxton Dimensions



The Clean Air Act 1993 and Smoke Control Areas

Under the Clean Air Act local authorities may declare the whole or part of the district of the authority to be a smoke control area. It is an offence to emit smoke from a chimney of a building, from a furnace or from any fixed boiler if located in a designated smoke control area. It is also an offence to acquire an "unauthorized fuel" for use within a smoke control area unless it is used in an "exempt" appliance ("exempted" from the controls which generally apply in the smoke control area).

The Secretary of State for Environment, Food and Rural Affairs has powers under the Act to authorize smokeless fuels or exempt appliances for use in smoke control areas in England. In Scotland and Wales this power rests with Ministers in the devolved administrations for those countries. Separate legislation, the Clean Air (Northern Ireland) Order 1981, applies in Northern Ireland. Therefore it is a requirement that fuels burnt or obtained for use in smoke control areas have been "authorized" in Regulations and that appliances used to burn solid fuel in those areas (other than "authorized" fuels) have been exempted by an Order made and signed by the Secretary of State or Minister in the devolved administrations.

The Buxton (BX1MF) has been recommended as suitable for use in smoke control areas when burning wood, the manufactures permanent stop to prevent closure of the secondary air control lever beyond 12mm open must be fitted to the secondary air slider.

Further information on the requirements of the Clean Air Act can be found here : <http://smokecontrol.defra.gov.uk/>
Your local authority is responsible for implementing the Clean Air Act 1993 including designation and supervision of smoke control areas and you can contact them for details of Clean Air Act requirements

Installation Instructions

CO Alarms

It is required by building regulations that whenever a new or replacement wood/solid fuel or biomass appliance is installed in a dwelling a carbon monoxide alarm to BS EN 50292:2002 must be fitted in the same room as the appliance.

The alarm should be installed according to the alarm manufacturer's instructions and should not be considered a substitute for the appliance being installed incorrectly or regular maintenance of the appliance or flue system.

Location of the unit

Clearances to non-combustible materials

There must be a minimum clearance of 150mm at each side of the appliance. A clearance of 150mm is required at the back of stove (if the rear wall has a thickness of 200mm or more this measurement can be reduced to 50mm). A minimum clearance of 150mm is required above the appliance.

Clearances to combustible materials

There must be a minimum clearance of 600mm at each side and 750mm at the rear of the appliance from any combustible materials. If using single wall flue pipe, there must be a clearance of at least 3 times the diameter of the flue pipe (e.g. 125mm diameter pipe = 375mm minimum clearance) from any combustible materials e.g. wooden beam.

Curtains and soft furnishings should be a minimum of 1m away from the appliance.

Adequate space should be provided for servicing the appliance.

We do not recommend that plasma televisions and expensive artwork are hung over the fireplace.

Please remember that this appliance has been designed to provide heat and if installed into a recess enough space should be left around the appliance to enable the heat produced to rise and escape from the recess back into the room.

Hearth Requirements

The appliance must stand on a level fireproof hearth with a minimum thickness of 12mm. The hearth temperature created by this stove is below 100°C. The hearth must protrude at least 300mm in front of the appliance and 150mm either side of the appliance.

The appliance shall be installed on a floor with an adequate load bearing capacity. If an existing construction doesn't meet with prerequisite, suitable measures (e.g. load distributing plate) shall be taken to achieve it.

Flue Requirements

The chimney must comply with current Building Regulations. Provision must be made to provide access for cleaning the appliance, the flue gas connector and the chimney flue.

The flue must be:

- In sound condition and provide sufficient draft (Min 12Pa)
- Suitable for use with solid fuel burning appliances
- Free from deposits
- Well insulated
- At least 4.5m in height

The flue must not be:

- Shared with other appliances
- Weight bearing on the appliance
- A smaller diameter than the appliance flue collar size (125mm)

Assembly of the unit

If this unit is to be installed in a smoke controlled area the manufactures permanent stop must be fitted to the secondary air control in all circumstances.

To install the smoke exemption square,

Firstly fully open the secondary slider by pushing the handle fully to the right

Insert the square into the far left of the secondary channel and tap into place using a hammer or other suitable tool

The square is correctly fitted when it is flush with the front casing

The smoke exemption square should be fitted by a competent person as part of the original commissioning process and once installed should not be removed.

The appliance is supplied assembled with the flue spigot in the top exit position.

If you intend to install the appliance using a rear flue connection, the blanking plate should be swapped over as follows:

- Remove the internal baffle plate
- Remove the blanking plate retaining bar internally.
- Remove the flue spigot from the top exit by removing the securing bolts and rope seal.
- Refit the rope seal and flue spigot to the rear exit and secure with the bolts. Seal with fire cement.
- Refit the blanking plate to the top exit using the rope seal and retaining bolts.
- You may remove the rear air intake spigot if not using the direct air kit

Maintenance

The chimney should be swept at least once a year together with the flue pipe connection. Care should be taken to ensure that there is not a build up of soot on the baffle and in the airways of the appliance.

If the appliance has not been operated for long periods, the flue should be inspected and swept before use to ensure there are no blockages within the flue.

The grate should be cleaned regularly and the ashpan emptied daily. **NEVER ALLOW THE ASH IN THE ASHPAN TO OVERFILL ALLOWING ASH TO BE IN CONTACT WITH THE UNDERSIDE OF THE GRATE.** This will overheat the grate and cause premature wear and distortion.

The internal vermiculite panels of the appliance should be checked regularly for soundness. If any wear and tear is found, we recommend these parts are replaced immediately.

Check the rope door seals are intact and are not worn. These should be replaced on an annual basis to ensure the correct operation of this appliance.

The glass can be cleaned using a soft damp cloth and window cleaner or ACR stove glass cleaner (available from your local stockist)

Use only replacement parts recommended by the manufacturer.

We recommend that the appliance is serviced annually by a competent engineer to ensure it's continued safe operation.

User Instructions

Please note that during the first firing, we recommend a small fire is lit and that you slowly increase the temperature to enable the various parts to expand normally.

You may also experience fumes and a haze being given off by the stove during the first firing and possibly for the next couple of firings as the paint cures. This is normal but please ensure that the room is well ventilated during this period.

The appliance should not be operated in mild weather with smokeless fuel. Under certain weather circumstances e.g. fog the chimney will not draw sufficiently well and could cause asphyxiation. Either await better weather or burn wood only.

In the rare event of a malfunction due to overheating or a chimney fire, the air slides should be shut down completely and the fuel allowed to burn out. In the event of a chimney fire, once the air slides have been closed completely, dial 999 for assistance. If the appliance has overheated, the appliance will need to be inspected for any damage before it can be operated again.

Recommended Fuels

Wood – hardwood such as ash, oak and beech which have been cut for at least 2 years and stored under shelter. The logs should have a maximum moisture content of 20%. Maximum log length 400mm, maximum log width 175mm.

Smokeless Fuels – such as Anthracite, Phurnacite & Ancit

Prohibited Fuels

Green wood – i.e wood which is less than 2 years old with a moisture content of above 20%

Recovered wood – i.e pallets, railway sleepers etc. These will have been chemically treated and will pollute the atmosphere and possibly overheat the appliance.

Housecoal or Bituminous coal – these fuels will soot up the airways of the stove and possibly overheat the appliance.

Petroleum Based Coke – this will overheat the appliance and possibly damage the unit. (Not above 20% Pet coke content)

Any form of liquid fuels.

Instructions for use with wood

- Slide the top air control to the right and pull open the primary air fully.
- Lay firelighters or rolled up newspapers on the grate and add a small amount of kindling wood to the top. Place 1 or 2 small logs on the top.
- Light the newspaper or firelighters using a long taper and push the door to.
- When the fire is burning fiercely, after a couple of minutes add more logs and close the door.
- When the fire has become established, close the primary air down.
- The burning rate can be altered by moving the top air slide.
- Care should be taken to ensure that the logs are not placed higher than the log guard allows.

The air controls should not be adjusted except as directed in these instructions

Instructions for use with smokeless fuel

- Slide the top air control to the right and open the primary air fully, fully close the tertiary air tabs at the rear of the appliance.
- Lay firelighters or rolled up newspapers on the grate and add a small amount of kindling wood to the top. Place a small quantity of smokeless fuel on top.
- Light the newspaper or firelighters using a long taper and push the door to.
- When the fire is burning fiercely, after a couple of minutes add more smokeless fuel and close the door.
- When the fire has become established, close the top air down.
- The burning rate can be altered by moving the primary air slide.
- Care should be taken to ensure that the firebox is not overfilled with smokeless fuel – it should be no higher than the log guard.

Re-fueling

When refueling the stove always refuel onto a bed of hot embers, fully open the secondary air control and leave the door slightly ajar for a few minutes or until the new fuel is well alight, before closing the door and adjusting the air controls for the desired setting.

If there is insufficient burning material in the firebed to light a new fuel charge, excessive smoke emission can occur. Refuelling must be carried out onto a sufficient quantity of glowing embers and ash that the new fuel charge will ignite in a reasonable period. If there are too few embers in the fire bed, add suitable kindling to prevent excessive smoke.

Never overload the stove – it will work very well with two medium sized logs. The amount of fuel specified in this manual should not be exceeded, overloading can cause excess smoke.

Operation with door left open

Operation with the door open can cause excess smoke. The appliance must not be operated with the appliance door left open except as directed in the instructions.

Dampers left open

Operation with the air controls or appliance dampers open fully can cause excess smoke. The appliance must not be operated with air controls, appliance dampers or door left open except as directed in the instructions.

Never leave the stove unattended until the new fuel is well alight.

Persistent fume emission is dangerous and must be investigated. If fume emission persists, open doors and windows to ventilate the room and let the fire die out. Have the chimney inspected for blockages and clean if required. Do not relight the fire until the cause has been found. We recommend that you seek professional advice.

This appliance has been designed to be burned with the door closed at all times other than when refueling. It should not be operated as an open fire.

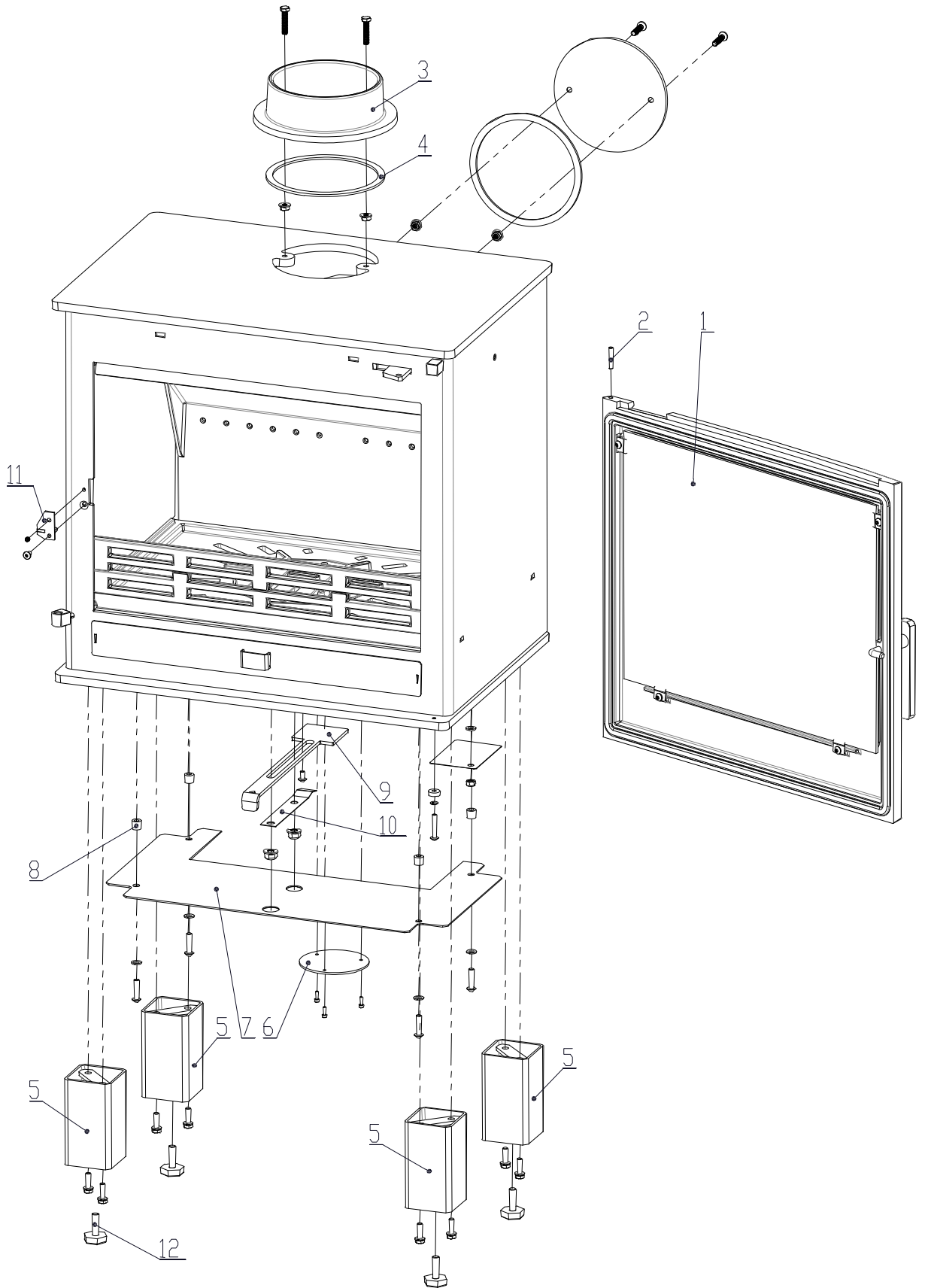
Typical refueling intervals for wood is 1 hour and smokeless fuel is 2 hours.

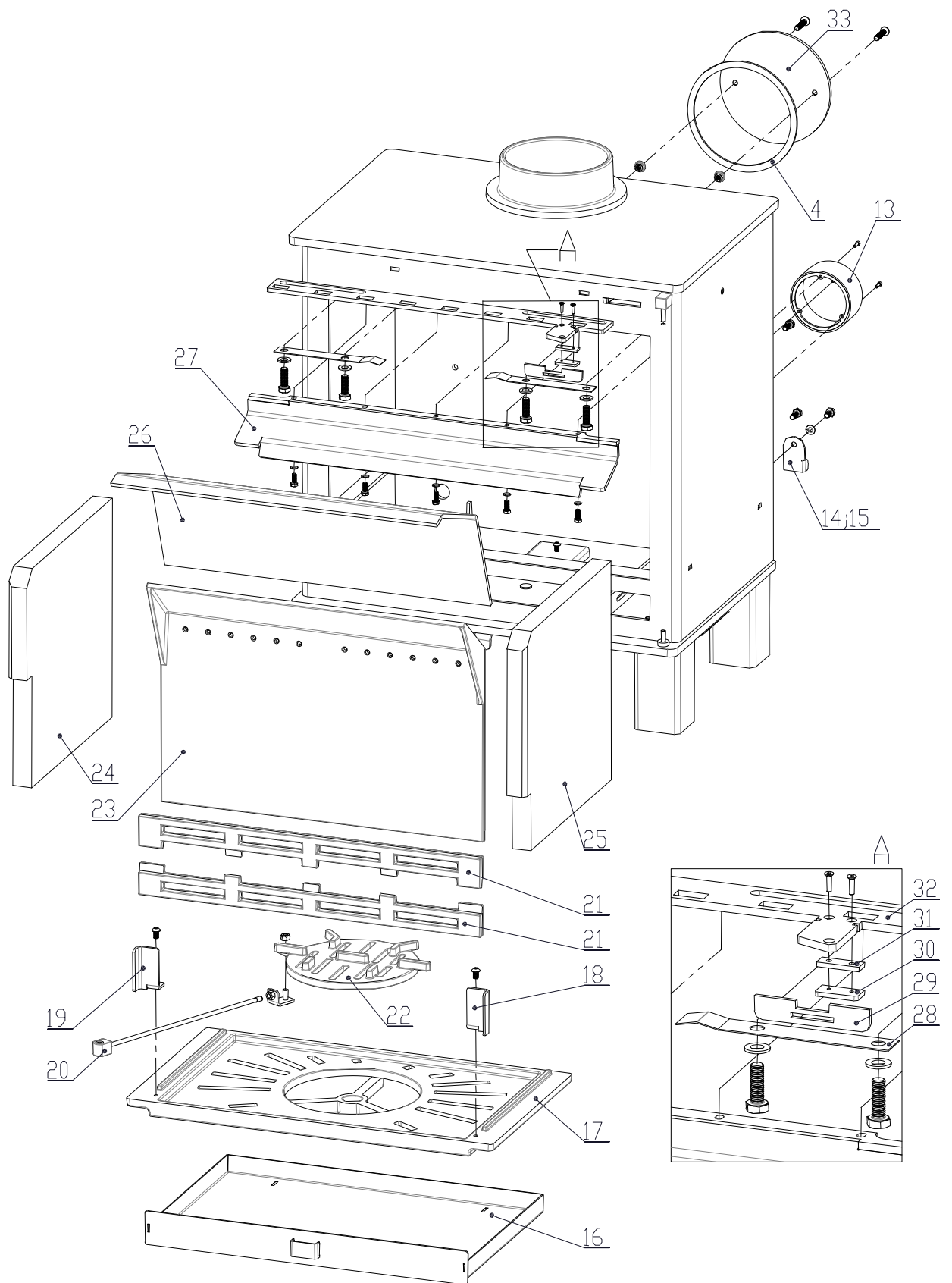
Daily Maintenance

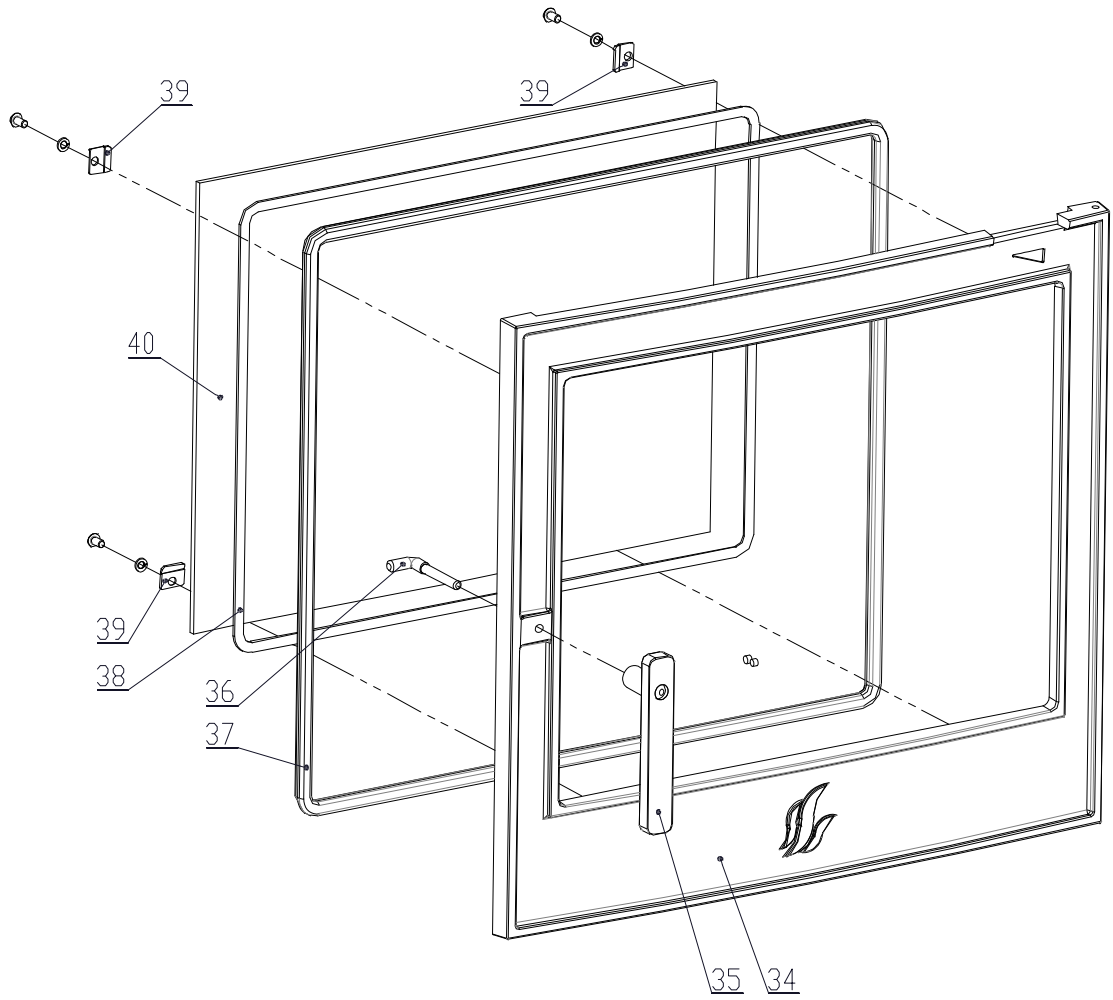
The ashpan should be checked and emptied regularly. You should never allow the ashes in the pan to build up to the level of the grate. If they are allowed to build up, the grate will become sandwiched between the ash below it and above it. This will overheat the grate and cause distortion and premature wear.

Troubleshooting

Problem	Probable Cause	Action Recommended
Fire difficult to Start / Fire goes Out	Green wood / wet wood	Use hardwood logs with a maximum moisture content of 20%
	Logs are too large	Use small logs to start The fire and once Established use split logs
	Not enough primary air	Open air control
	Insufficient draft	Check the flue is not Obstructed
Fire burns too Quickly	Too much draft	Reduce the air control
	Excessive draft	Install a draft stabiliser
Smokes on initial Lighting	Flue is cold	Burn paper and kindling to increase heat in flue
Smokes while Burning	Insufficient draught	Check the flue is not obstructed
Low heat output	Poor quality wood	Use seasoned Hardwood (this has a Higher calorific value)







SPAREPART LIST

STOVE-K4301 BUXTON



Position	Quantity	Description	Fireplace number
1.	1	burning chamber door complete	8400-315
2.	1	hinge	5136-414
3.	1	flue spigot	3490-047
4.	2	flue spigot gasket (8x3)	1982-004
5.	4	leg	9900-1258B
6.	1	airbox cover cap	3811-551A
7.	1	heat protection plate	4811-305B
8.	4	distance piece	7922-011
9.	1	primary air regulator	5311-588B
10.	1	linea spring	6536-018
11.	1	door cover plate	9900-993
12.	4	adjustable feet	4300-949
13.	1	air socket	9900-1005B
14.	1	tertiary regulation plate left	5111-410
15.	1	tertiary regulation plate right	5111-411
16.	1	ash pan	9900-1027A
17.	1	grate frame	4290-1273
18.	1	log guard rail right	7911-1212
19.	1	log guard rail left	7911-1211
20.	1	riddling rod	9900-1028B
21.	2	log guard	4290-1276A
22.	1	oscillating grate	4290-1201A
23.	1	back panel	4290-1274
24.	1	left vermiculite brick	6081-773A
25.	1	right vermiculite brick	6081-774B
26.	1	baffle plate	3711-172
27.	1	secondary airbox	9900-1122
28.	2	linea spring	6536-018
29.	1	cover plate	5311-629
30.	1	fixing plate	5311-631
31.	1	distance plate	5311-630
32.	1	secondary air regulator	5311-590D
33.	1	blanking plate	4111-136
34.	1	cast iron door	4490-1386
35.	1	door handle	9900-1142
36.	1	locking rod door handle	5035-405
37.	1	door rope (D10)	1982-012
38.	1	glass gasket (8x3)	1982-004
39.	4	glass retaining brackets	6612-241
40.	1	glass	5540-313
		Vermiculite set	9900-1138

Commissioning Check List

(Please mark box when completed)

- Ensure the serial number has been recorded on the front of this manual for any future use

- Ensure the door seals are in good condition and that the glass is secured correctly in the door (do not over tighten the glass as this will prohibit its expansion and could cause the glass to crack)

- Ensure that all internal components are fitted correctly (these may have shifted in transit)

- Ensure that the appliance operates correctly during the first firing

- Ensure the customer is aware that fumes may be given off during the first firings as the paint cures

- Advise the customer on the safe operation of the appliance

- Leave the instruction manuals, operating tool and glove for the customer's use.

Warranty Certificate

The specifications within this document are provided for information purposes only and are under no circumstances binding.

With the aim of constantly improving our products, all modifications considered necessary may be made without notice.

Our appliances are guaranteed against faults and hidden defects subject to the following conditions:

- The appliance must have been installed by a registered competent installer (HETAS) or inspected by local authority Building Control
- The appliance must be installed and operated in accordance with our instruction manual
- The guarantee is for a period of 5 years on the appliance body from the date of purchase

The following components are considered as consumables and are excluded from the guarantee:

- Grates
- Rope seals
- Ashpan
- Internal vermiculite panels
- Glass
- Baffle plates

Your statutory rights are not affected by this warranty.

**In the event of a warranty claim, please return the form overleaf to
ACR Heat Products Ltd, Unit One, Weston Works, Weston Lane, Tyseley,
Birmingham, B11 3RP, UK.**

Warranty Claim Form

Customer Name:

Customer Address:

.....

..... Postcode

Daytime Tel: Mobile Tel:

Model Name: Model Number:

Serial Number:

Date of purchase:

Date of installation:

Installer's Name and address:

.....

.....

Installer's Registration Number:

Building Control Certificate Number (if not installed by a registered competent installer):

Dealer Name and address:

.....

.....



HEAT PRODUCTS LTD

Unit One Weston Works, Weston Lane, Tyseley, Birmingham, B11 3RP. UK

Tel: 0121 706 8266 Fax: 0121 706 9182

Email: enquiries@acheatproducts.co.uk